

NACA 20Nm 2-Point & 3-Point On-Off Control Actuator



ASLI damper actuators are especially designed and produced for applications in the HVAC systems with latest Switzerland technology.

It has been developed for use with air damper, butterfly valve, characterized ball valve and globe valve with the use of special adapter.

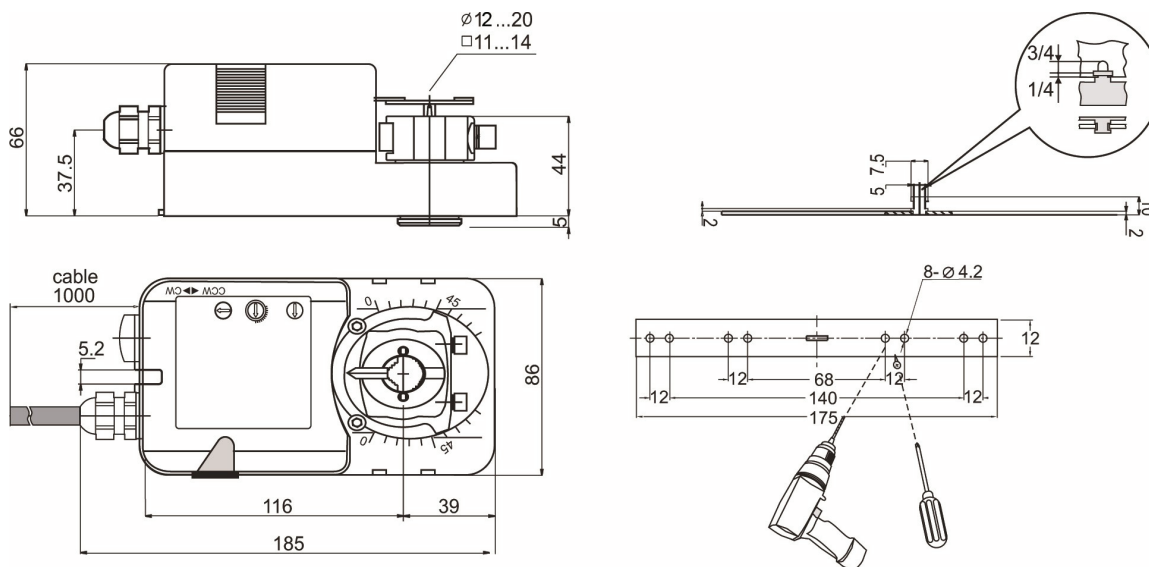
Features

- Torque 20 Nm
- Damper neck size 4.0 m²
- Power supply AC/DC 24V and AC 230V
- Universal adapter Ø12...20 mm round / 11...14mm square
- Manual over-ride push button when required.
- Selectable direction of rotation CW/CCW
- 2 adjustable SDPT auxiliary switch when requested
- Actuator with 1m cable connection

NACA 20Nm Model Selection Table

Torque	Running Time	Power Supply	Auxiliary Switches	Model/Type
20 Nm	70...120 sec	AC/DC 24 V	No	NACA 1-20
			2 x SPDT	NACA 1-20S
20 Nm	70...120 sec	AC 230V ±10%	No	NACA 2-20
			2 x SPDT	NACA 2-20S

NACA 20Nm Dimensions Unit : mm



NACA 20Nm 2-Point & 3-Point On-Off Control Actuator

NACA 20Nm Technical Specification

	NACA 1...20 (S)	NACA 2...20 (S)
Torque	20 Nm	
Damper size	4.0 m ²	
Shaft dimensions	Ø 12...20mm round / 11....14mm square	
Power supply	AC/DC 24 V ± 10%	AC 230 V ± 10%
Frequency	50...60 Hz	
Control Signal	2 point and 3 point	
POWER CONSUMPTION		
- Operating	8.0 W	
- At the end stops	2.0 W	
For wire sizing	8.0 VA	
Auxiliary Switches Rating (Amp and Voltage)	3 (1.5) A / 230 V (for 24 V and 230 V)	
Protection Class	II (for 24 V and 230 V)	II (for 24 V and 230 V)
Angle of rotation	90° (95° mechanical)	
Angle limiting	5°...85° in 5° step	
Weight	1.2 Kg	
Life cycle	60,000 rotation	
Sound level	Below 45 dB	
IP protection	IP54	
Ambient Temperature	-20°...50° as per IEC 721-3-3	
Ambient Humidity	5...95% RH	
Inventory Temperature	+70° as per 721-3-2	
Maintenance	Maintenance free	
EMC	CE and ISO 9000 EN / EEC... Requirements	

NACA 20Nm Wiring Diagram

Wiring Diagram

Power Supply AC/DC 24 V - AC 230 V

2 Point

black	red	white
blue	brown	white
1	2	3

⊥ ~ AC 24 V ±10%
 - + DC 24 V ±10%
 N L1 AC 230 V ±10% N L

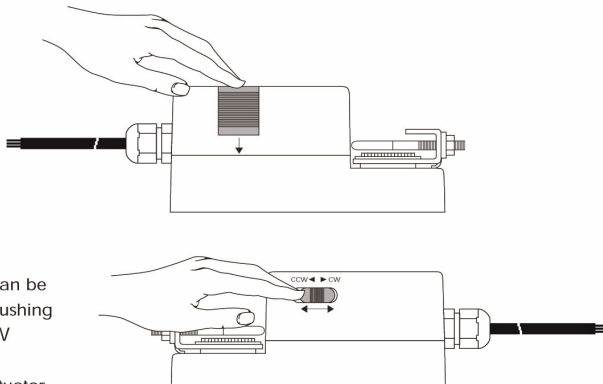
3 Point

black	red	white
blue	brown	white
1	2	3

⊥ ~ AC 24 V ±10%
 - + DC 24 V ±10%
 N L1 AC 230 V ±10% N L

⚠ Connect via safety isolating transformer

Changing Direction of Rotation NACA 1/2...(S1)

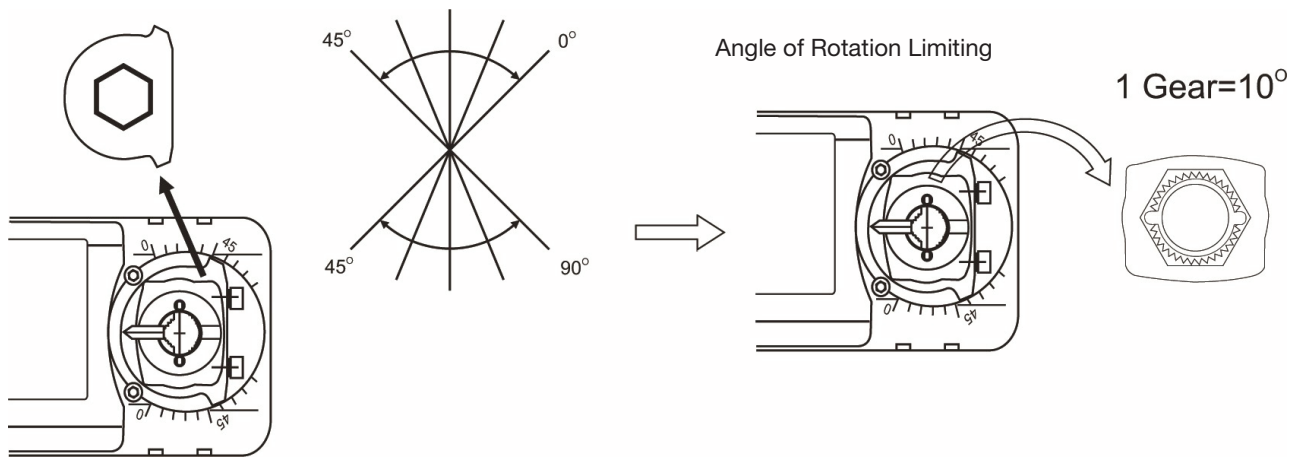
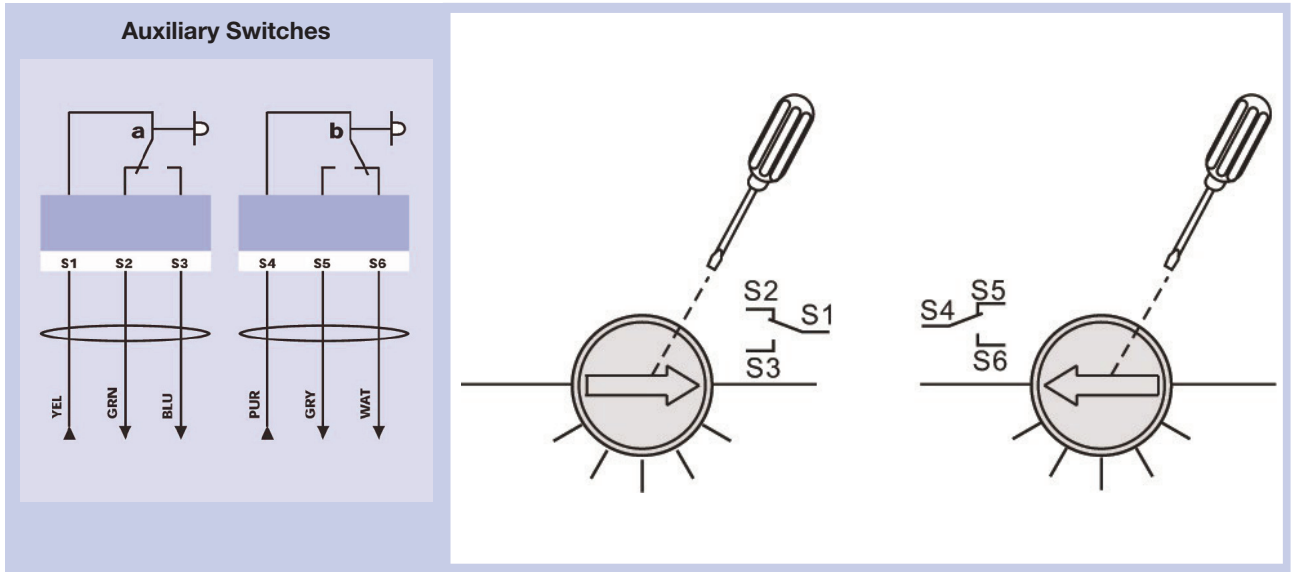


The rotation can be reversed by pushing the CCW/CW switch on the housing of actuator.

⚠ 24 VAC/DC: Connect via safety isolating transformer.
 230 VAC: To isolate from the main power supply, the system must incorporate a device which disconnects the phase conductors (with at least a 3 mm contact gap).

NACA 20Nm 2-Point & 3-Point On-Off Control Actuator

NACA 20Nm Wiring Diagram



NACA 20Nm Installation / Mounting Instruction

